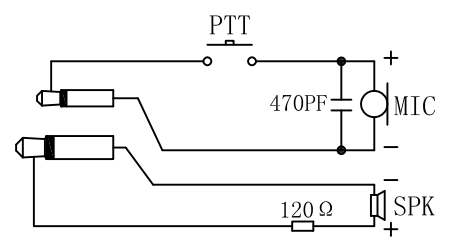
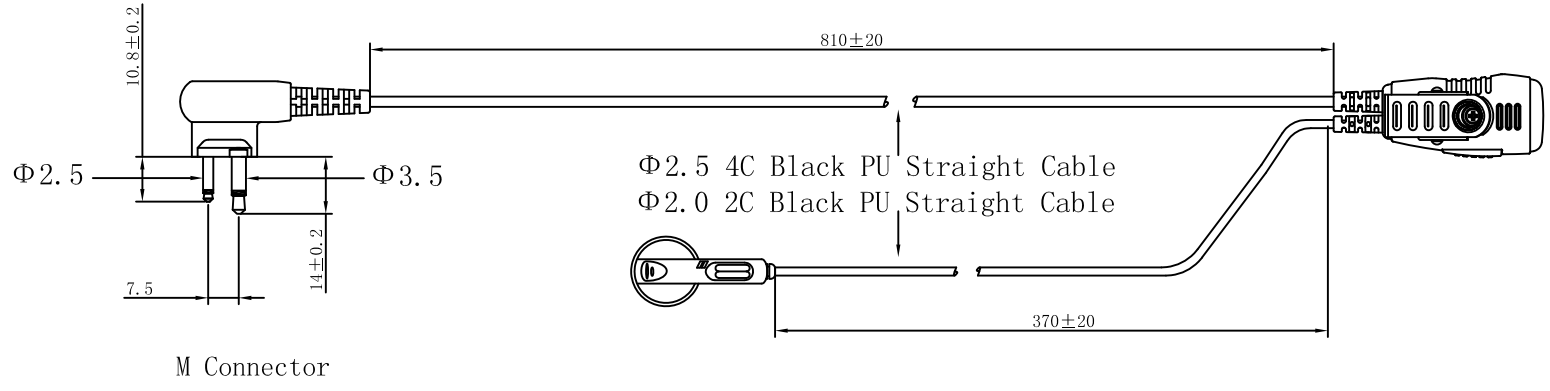
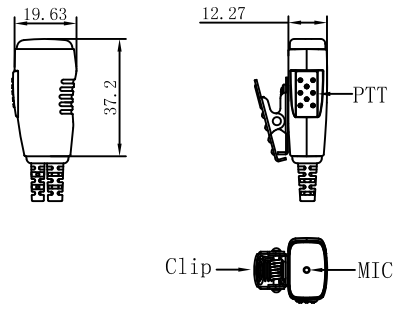


Rev.	Description	Date	By



MT Advantech® Limited			
Title Earbud earphone with lapel PTT/Mic		Part Number ES-P01M-2S	
		Third Angle Projection	
Draw:	Ceci	Unit:	mm
Check:	TJ	Date:	2012/03/16
Approve:	HF	Drawing #:	
Confidential document DO NOT transfer or copy to any unauthorized third party. Any violation will be prosecuted relevant legal liability.			