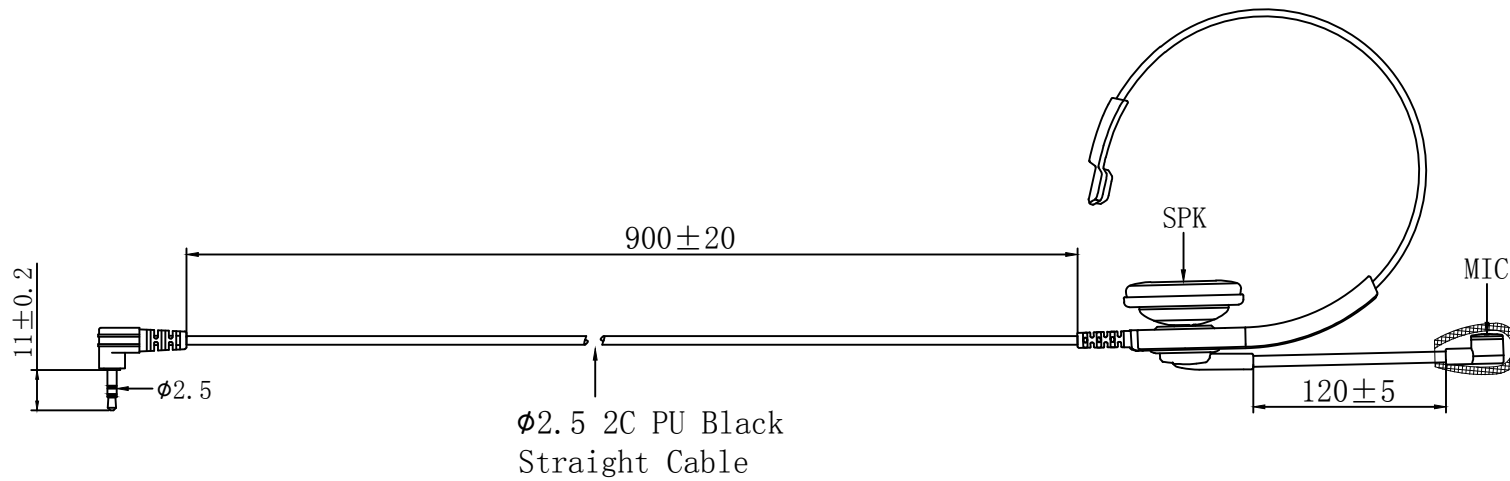
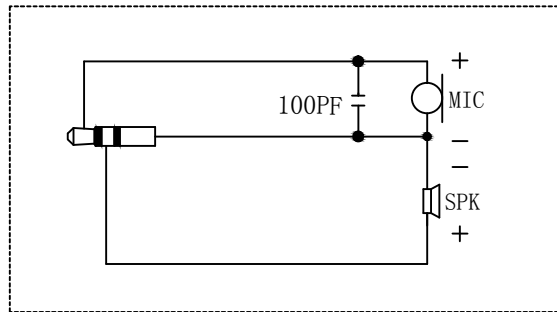

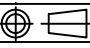


Rev.	Description	Date	By



JA3 Connector



 <b>Addvantech® Limited</b>			
<b>Title</b> Single ear headset with boom microphone and 90cm straight cable		<b>Part Number</b> ES-FH01JA3	
Draw: Tony		Third Angle Projection 	
Check: Tony		Unit: mm	
Approve:		Date: 2013/07/24	
		Drawing #:	
Confidential document DO NOT transfer or copy to any unauthorized third party. Any violation will be prosecuted relevant legal liability.			