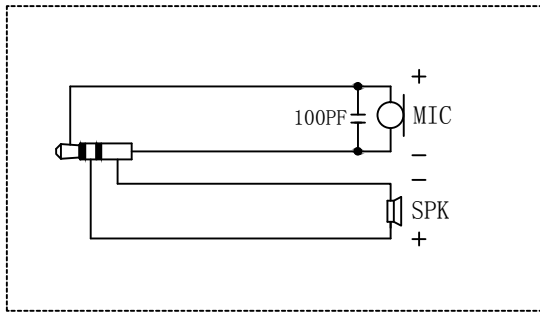
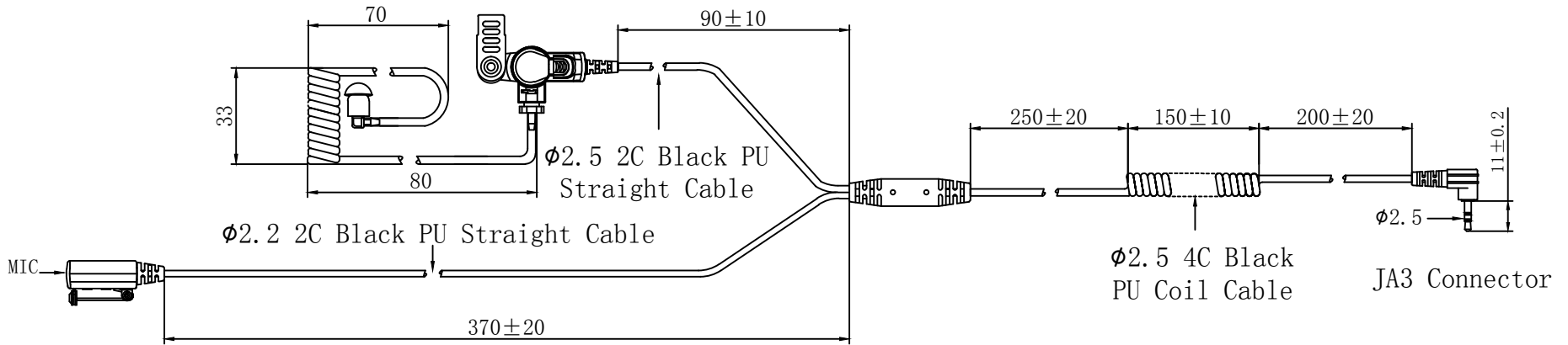
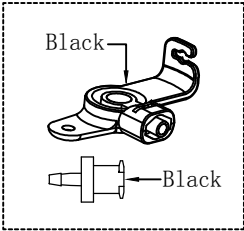


Rev.	Description	Date	By



**MT** Advantech® Limited

<b>Title</b> Acoustic tube earphone(B4) with lapel mic				<b>Part Number</b> ES-FB4JA3	
				Third Angle Projection	
<b>Draw:</b>	Tony	<b>Check:</b>	Tony	<b>Unit:</b>	mm
<b>Approve:</b>				<b>Date:</b>	2013/07/25
				<b>Drawing #:</b>	

Confidential document DO NOT transfer or copy to any unauthorized third party. Any violation will be prosecuted relevant legal liability.