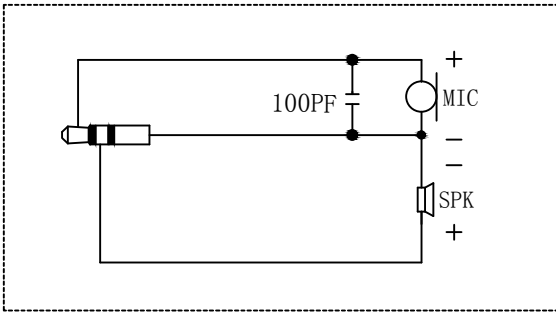

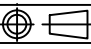


| Rev. | Description | Date | By |
|------|-------------|------|----|
|      |             |      |    |
|      |             |      |    |
|      |             |      |    |

JA3 Connector

Ø2.5 2C PU Black  
Straight Cable



|                                                                                                                                           |                    |                                                                                                              |  |
|-------------------------------------------------------------------------------------------------------------------------------------------|--------------------|--------------------------------------------------------------------------------------------------------------|--|
|  <b>Addvantech® Limited</b>                          |                    |                                                                                                              |  |
| <b>Title</b><br>D-Shell earphone with 90cm<br>straight cable                                                                              |                    | <b>Part Number</b><br>ES-F06JA3                                                                              |  |
|                                                                                                                                           |                    | Third Angle Projection  |  |
| <b>Draw:</b> Tony                                                                                                                         | <b>Check:</b> Tony | <b>Unit:</b> mm                                                                                              |  |
| <b>Approve:</b>                                                                                                                           |                    | <b>Date:</b> 2013/07/24                                                                                      |  |
|                                                                                                                                           |                    | <b>Drawing #:</b>                                                                                            |  |
| Confidential document DO NOT transfer or copy to any unauthorized third party. Any violation will be prosecuted relevant legal liability. |                    |                                                                                                              |  |